

QTY	part#	Description
1	20375	Fan Switch Bracket
1	30091	Fan Switch (F180)
2	58085	Machine Screw 6-32 x 5/32
2	50403	Fan Switch Wire (B/W) - 16" Long (w/ Quick Disconnect Terminal)
1	30042	Electrical Box 4x4
1	30043	Electrical Box Cover 4x4
1	30009	Relay 120V Coil SPST
1	50118	Flexible Alum. Conduit 3/8" x 48" Long
2	30037	Connector - Screw in Snap-Tite
5 Ft.	30020	Wire 14 Ga. Stranded Black
5 Ft.	30019	Wire 14 Ga. Stranded White
5 Ft.	30028	Wire 14 Ga. Stranded Blue
1	50289	Wire 14 Ga. White 6" Long (0.187" terminal)
1	30088	Lever Nut - 3 Position
1	30045	Terminal Quick Disconnect (0.187")
2	30046	Terminal Quick Disconnect (0.25")
1	75001	Label - Warning Hazardous Voltage
1	75017	Label - Blower Wiring
1	75066	Label - Front Wire Diagram



**WARNING:** Turn power off to the furnace before replacing the fan switch to avoid electrical shock.

1. Refer to Figure 1. Remove the old Fan Switch (Part# 30008)
2. Refer to Figure 2. Use the two supplied Machine Screws (58085) to mount the new Fan Switch (30091) to the Fan Switch Bracket (20375). Use the screws that were holding the old Fan Switch in place to mount the Fan Switch Bracket.

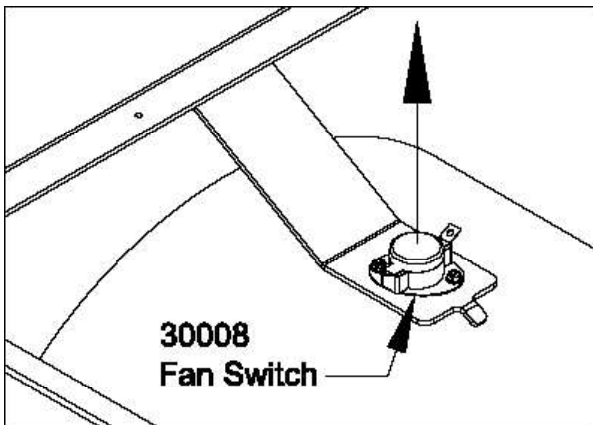


Figure 1: Remove Old Fan Switch (30008)

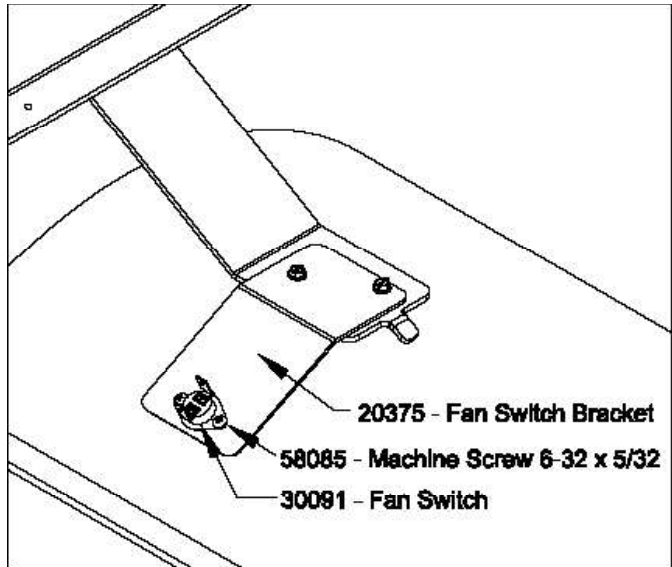


Figure 2: Install New Fan Switch (30091)

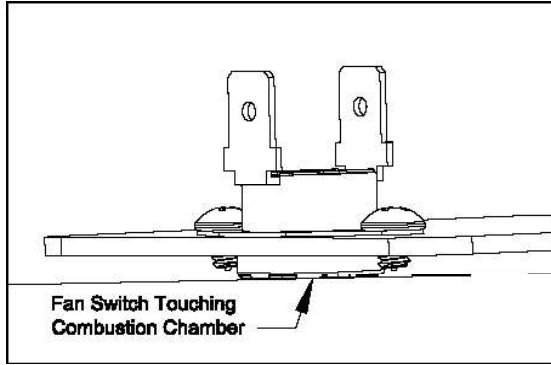


Figure 3: New Fan Switch Making Contact

3. Refer to Figure 3. Make sure the Fan Switch (30091) is making contact with the combustion chamber. If it is not touching, remove the Fan Switch Bracket and bend it slightly harder before re-installing.
4. Replace the Fan Switch wires with the included Black and White striped Fan Switch wires that have Quick Disconnect Terminals (50403)
5. Refer to Figure 4. Remove the 2x4 electrical box and conduit that connects to the blower and replace with the 4x4 electrical box, relay, and supplied conduit (black, white, and blue wires). Refer to the supplied labels (wire diagrams) to make the electrical connections in the front and back electrical boxes.

6. Crimp the 0.25" Quick Disconnect Terminal (30046) to the black wire on the blower motor to connect the motor to the relay in the 4x4 electrical box.

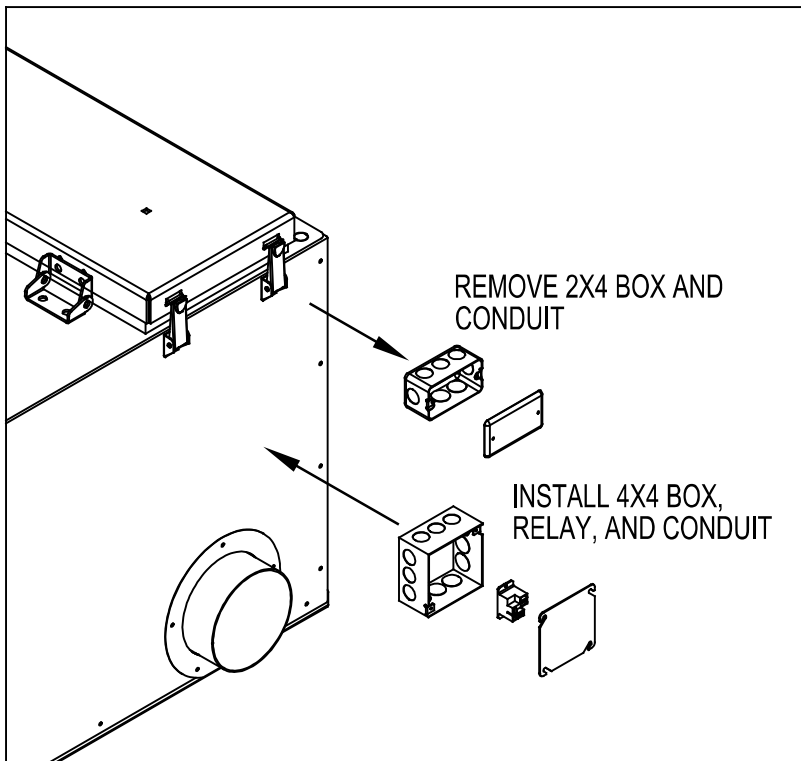


Figure 4: Remove 2x4 box and install 4x4 box and Relay