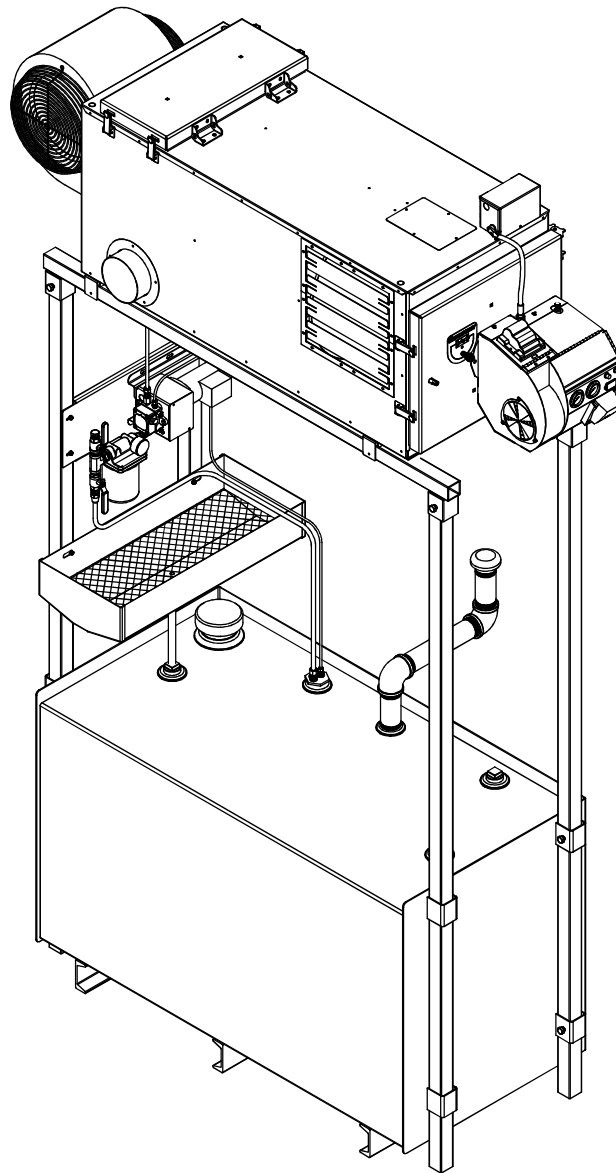




Heating Systems

OWNER'S MANUAL

Heating Center



633 N Helena St.
Spokane, WA 99202
(509) 535-1555
info@northstardirect.com



1210 N Oregon Ave.
Pasco, WA 99301
(509) 547-2323
info@northstarhotsy.com

TRADEMARKS

The Clean Energy logo is a registered trademark of Clean Energy Heating Systems, LLC.

COPYRIGHT

Copyright © 2020 Clean Energy Heating Systems, LLC. This manual may not be reproduced or distributed without the prior written permission of:

Clean Energy Heating Systems, LLC.
PO Box 1341
540 Maple Street
Honey Brook, PA 19344

Subject to change without notice

TABLE OF CONTENTS

- SAFETY CONSIDERATIONS AND GUIDELINES..... 4

- HEATING CENTER ASSEMBLY 5
 - Tank and Support Legs Assembly 5
 - Mounting the Drain Pan 6
 - Mounting the Pump Assembly 6
 - Installing the 4" Emergency Vent 7
 - Installing the 2" Breather Vent 7

- MOUNTING THE FURNACE ON THE HEATING CENTER..... 8

- HEATING CENTER EXPANDED VIEW.....10

SAFETY CONSIDERATIONS AND GUIDELINES



DANGER: DO NOT store or use gasoline or other flammable/explosive liquids/vapors in or around the furnace.



DANGER: DO NOT operate the furnace if excess oil, oil vapors, or fumes have accumulated in or around the furnace.



WARNING: DO NOT mix unapproved substances to the used oil supply, such as:

- Anti-Freeze
- Carburetor Cleaner
- Paint Thinner
- Parts Washer and/or Solvents
- Gasoline
- Oil Additives
- Chlorinated solvents
- Any other inappropriate / hazardous material

Instruct your personnel **NEVER** to add unapproved substances to your used oil. Burning any unapproved substance will immediately **void the furnace warranty** and may cause damage and unsafe operating conditions.



WARNING: To avoid serious injury or death, do not weld or allow open flames within 35 feet of the used oil supply tank.

- (1) The tank installation must comply with NFPA 30 and NFPA 31 fire codes.
- (2) All oil lines must be constructed of copper, steel, or brass components. DO NOT use rubber, plastic, or any other inappropriate material for oil lines.
- (3) Be sure to follow all instructions for tank installation in the Owner's Manual.

HEATING CENTER ASSEMBLY

Tank and Support Legs Assembly:

- (1) Refer to Figure 1
- (2) Slide the four (4) 2" X 2" Vertical Posts through the channels on each side of the tank until they rest on the floor. Having the vertical supports down on the floor will ensure the weight of the furnace is properly supported.
- (3) Place the Horizontal Supports across the top of the 2" X 2" Vertical Posts
- (4) Install and tighten the twelve (12) set screws to secure all vertical and horizontal supports
- (5) Fasten the Furnace Support Brackets to the Horizontal Supports with screws provided.
(Refer to Figure 2 which shows the area NOT to screw the Furnace Supports.)

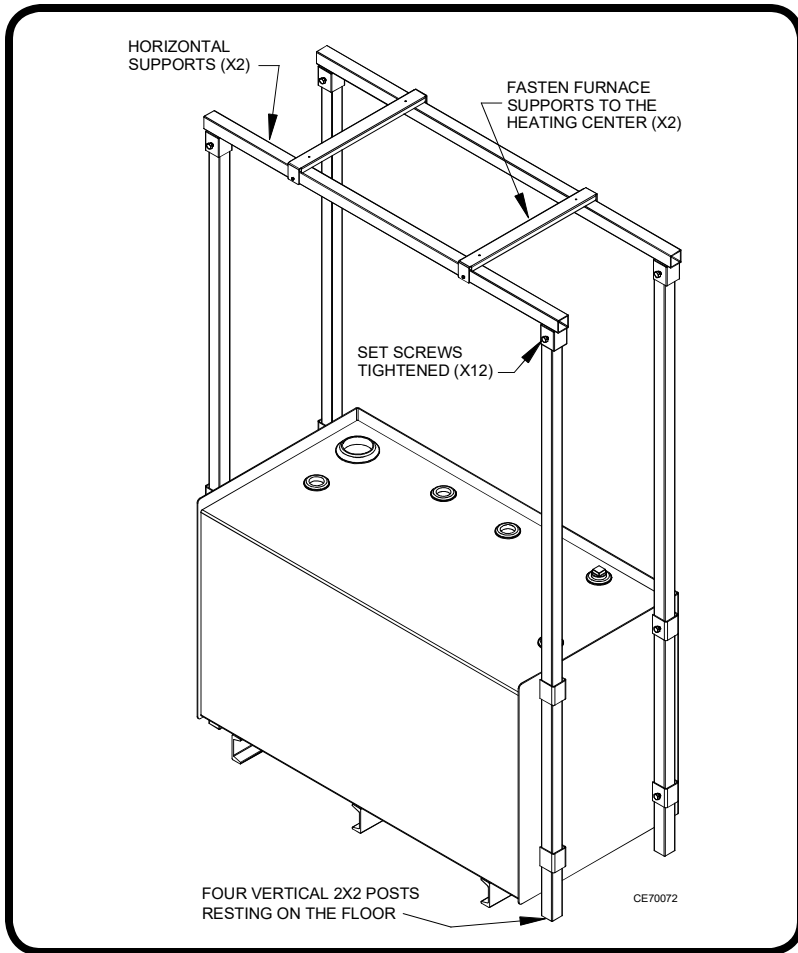


Figure 1: Tank and Support Legs Assembly

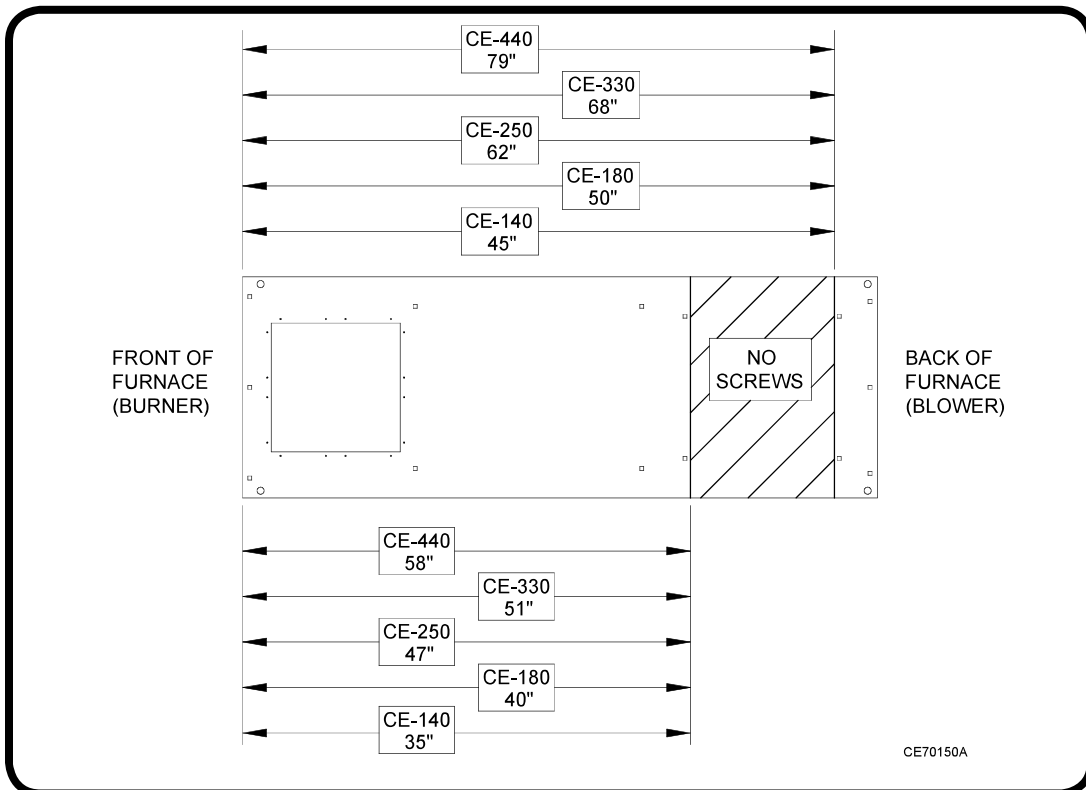


Figure 2: Area NOT to screw Furnace Supports to the base of the cabinet

HEATING CENTER ASSEMBLY

Mounting the Drain Pan:

- (1) Refer to Figure 2
- (2) Assemble the drain pan, ball valve, and pipe
- (3) Install the 2" tank bushing in the open port directly below the location of the drain pan (on the left side when facing the tank)
- (4) Slide the pipe through the 2" bushing and use two of the provided large self-drilling screws to mount the drain pan to the vertical 2" X 2" posts

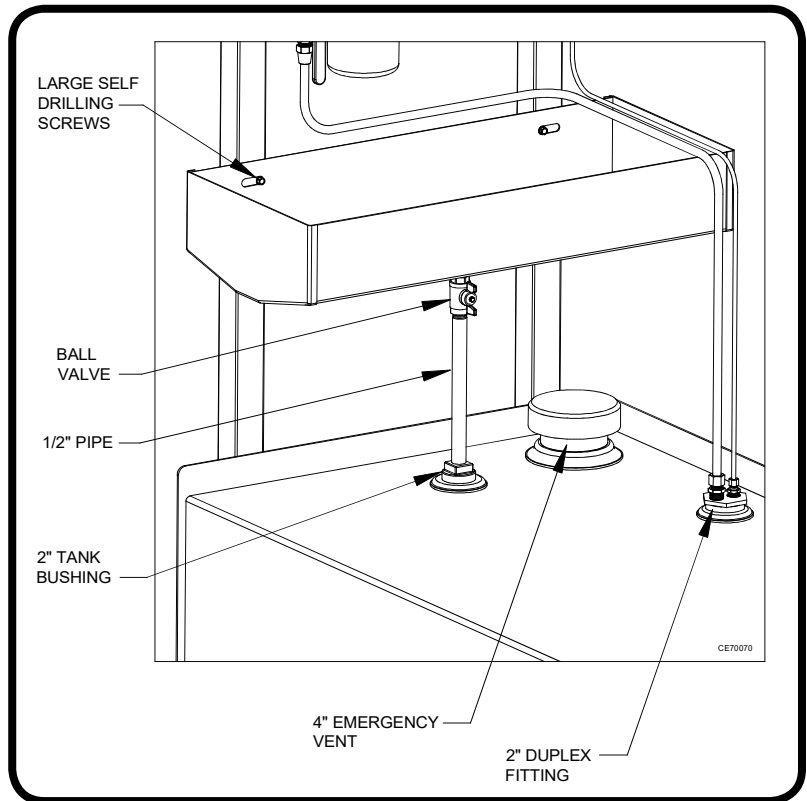


Figure 2: Mounting the Drain Pan

Mounting the Pump Assembly:

- (1) Refer to Figure 3.
- (2) Use four large self-drilling screws to secure the pump mounting plate to the 2" X 2" vertical posts. It is recommended to place the pump directly above the drain pan. This becomes helpful when the filter is being cleaned.
- (3) Use four serrated flange cap screws and nuts to secure the pump to the mounting plate.
- (4) Refer to the furnace Owner's Manual for instructions on connecting the oil lines and wiring the metering pump to the furnace.

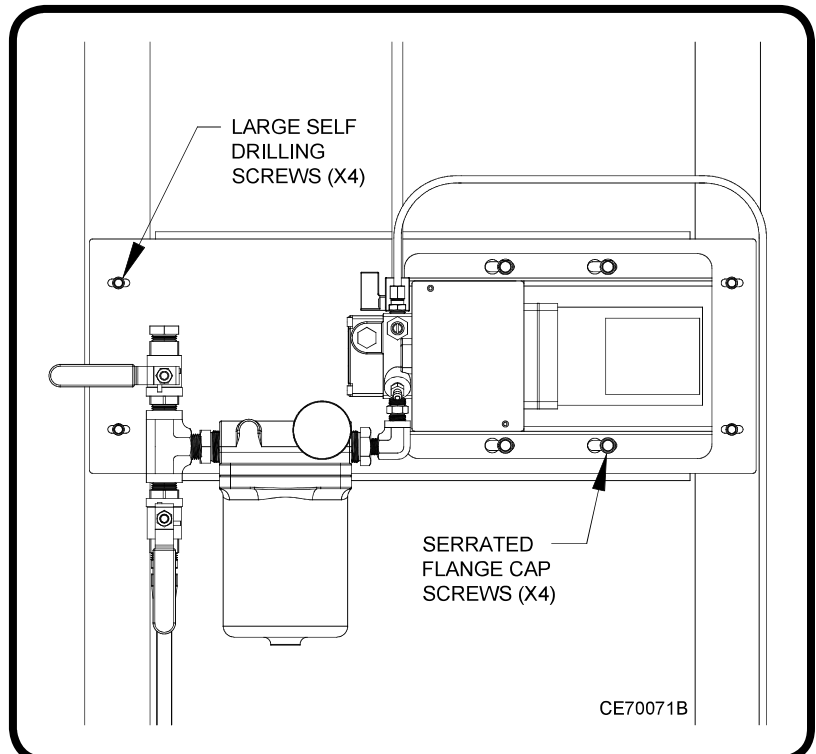


Figure 3: Mounting the Pump Assembly

HEATING CENTER ASSEMBLY

Installing the 4" Emergency Vent:

- (1) Refer to Figure 2 for the 4" Emergency Vent location
- (2) Install the 4" Emergency Vent in accordance with all state and local codes

Installing the 2" Breather Vent:

- (1) Refer to Figure 4
- (2) Use proper 2" pipe and fittings (user supplied) to install the breather vent according to all state and local codes

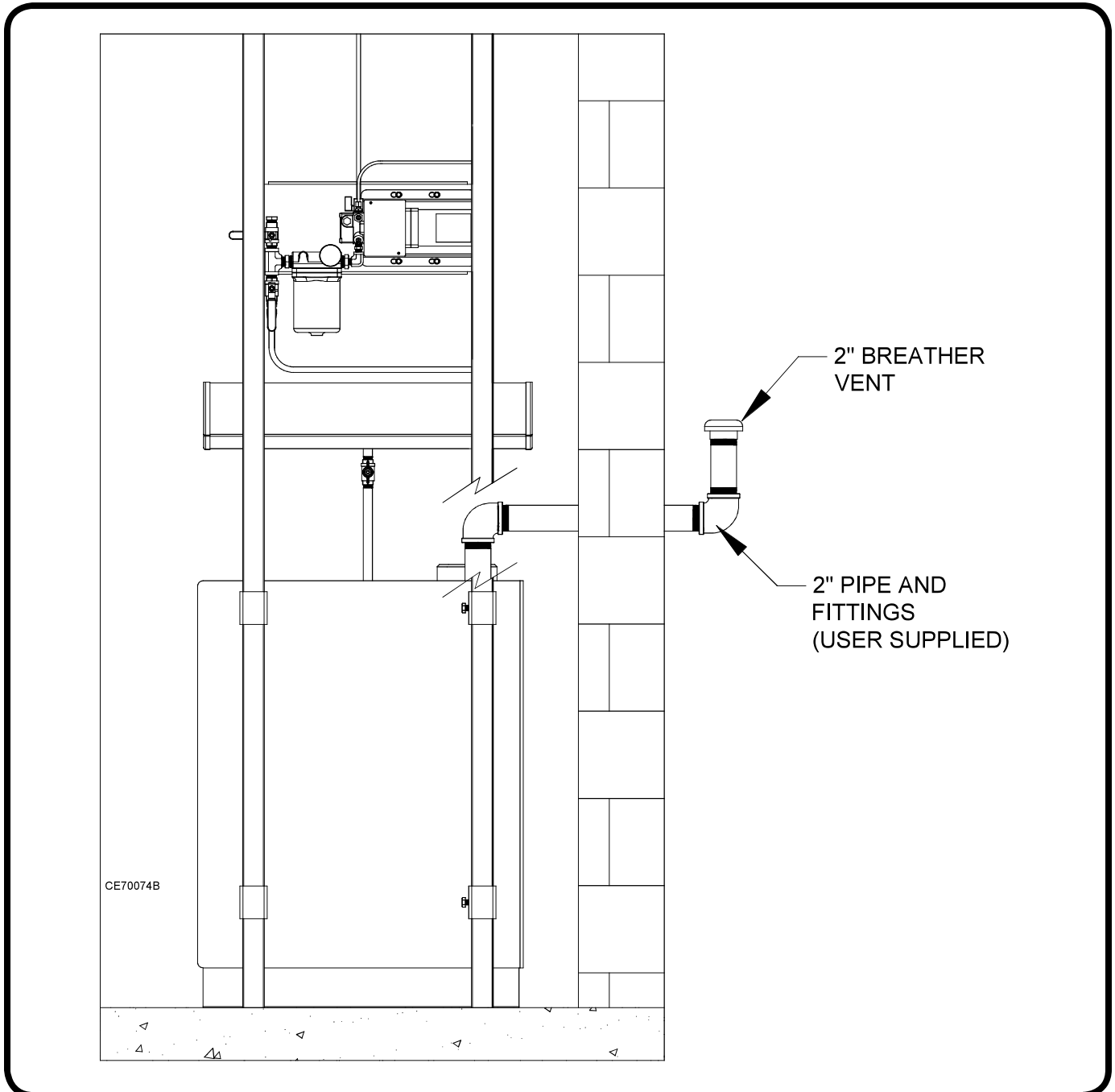


Figure 4: Installing the 2" Breather Vent

MOUNTING THE FURNACE ON THE HEATING CENTER

(1) Refer to Figure 5

(2) Use the self-drilling screws provided to attach the furnace to the two Furnace Support Brackets. Review Figure 2 and keep screws out of the “no screws” area. No screws should be in this area to keep from penetrating the bottom of the heat exchanger.

NOTE: To help keep the Heating Center stable it is recommended that braces are added from the support legs to the nearest wall (refer to Figure 6)

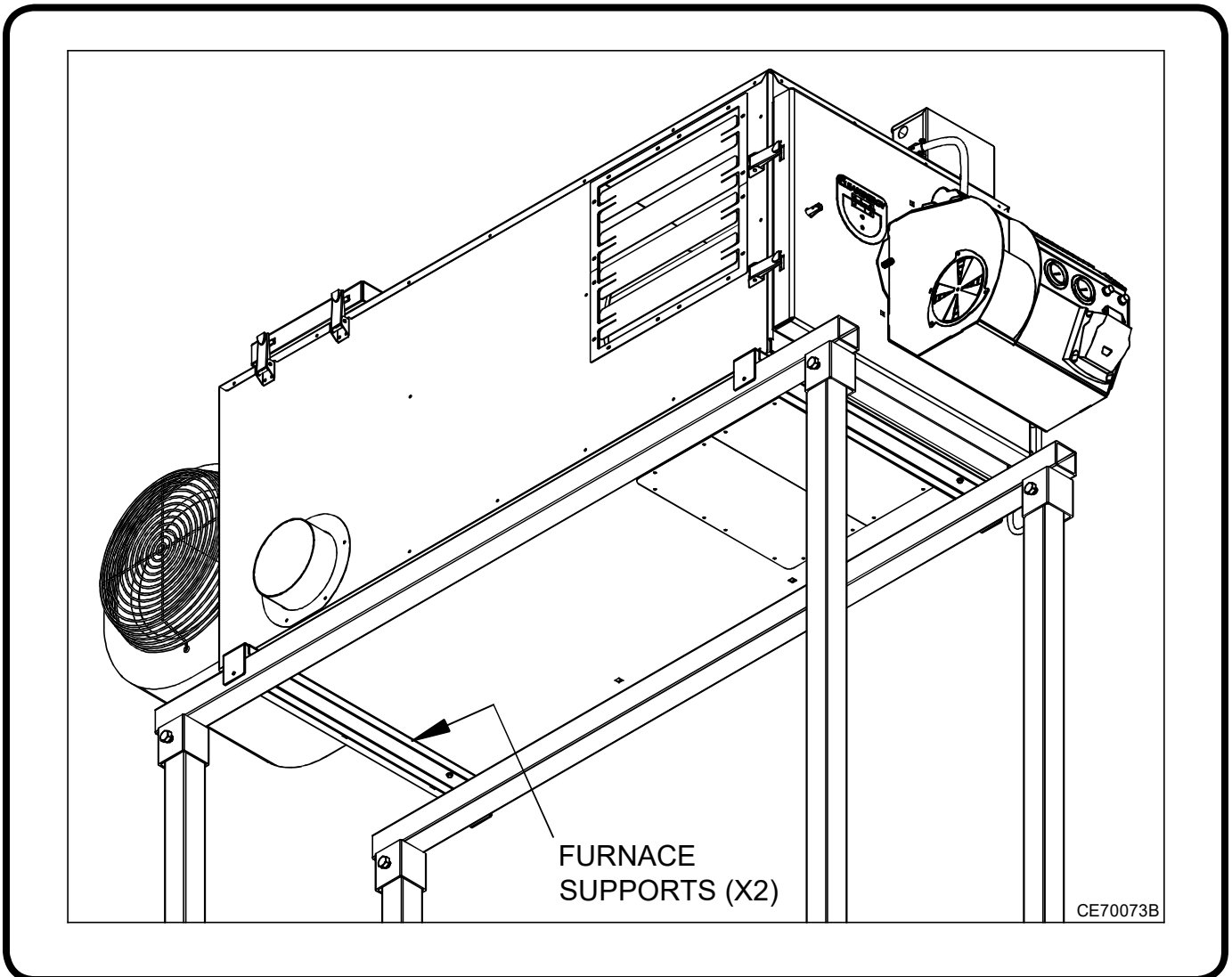


Figure 5: Mounting the Furnace on the Heating Center

**REFER TO THE FURNACE OWNER'S MANUAL FOR ADDITIONAL
INSTALLATION INFORMATION**

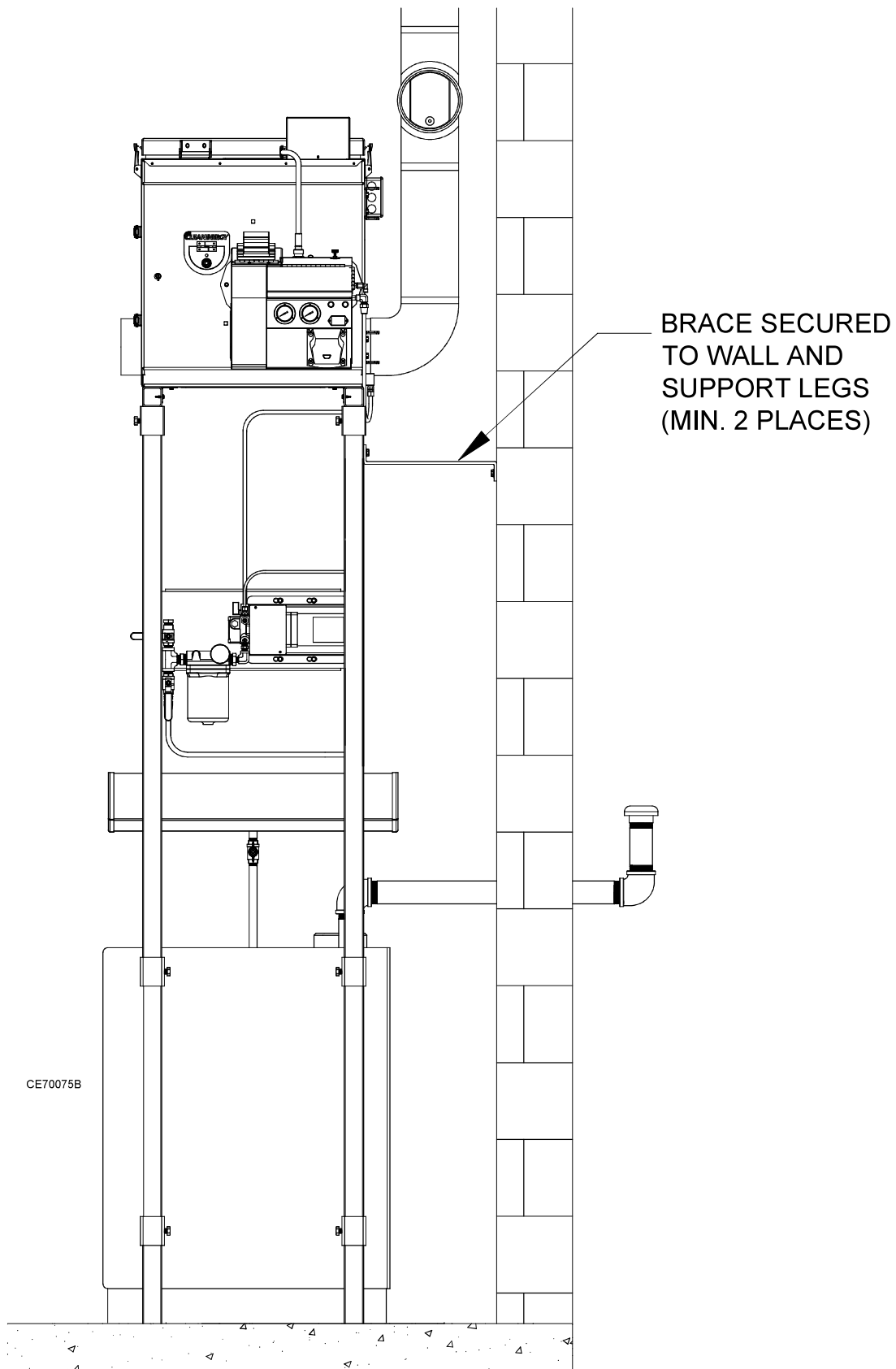
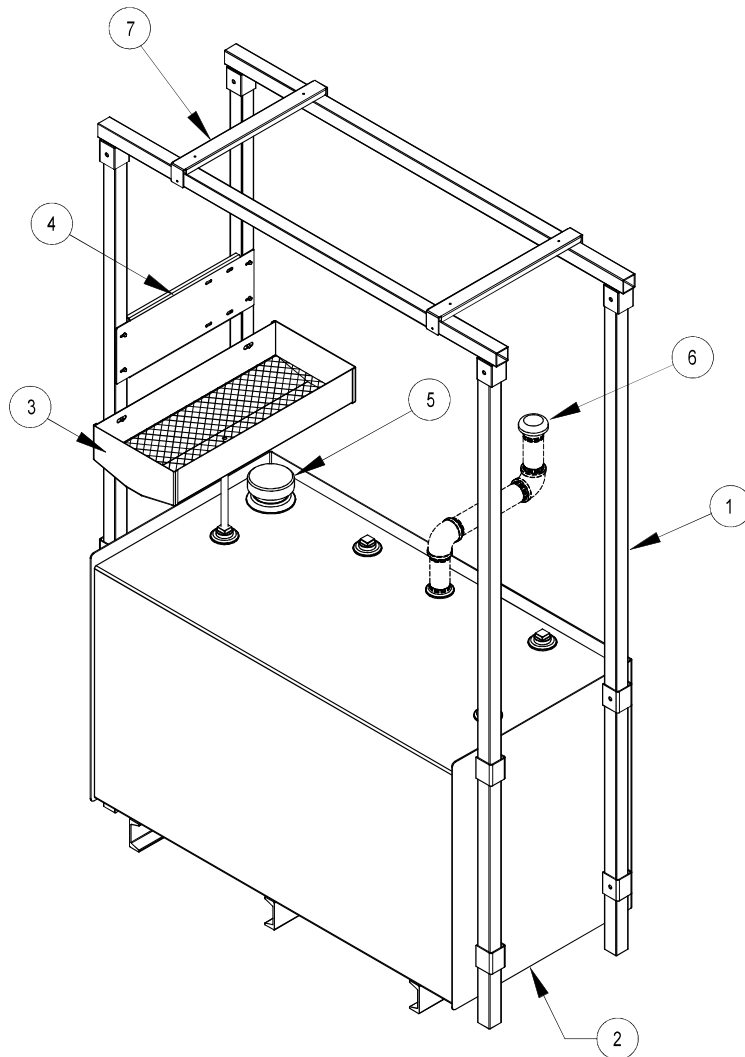


Figure 6: Adding Braces From the Support Legs to the Wall

HEATING CENTER EXPANDED VIEW



PART# 60023 - HEATING CENTER ASSEMBLY (250 GALLON)

ITEM	PART #	DESCRIPTION	QTY.
1	50181	Tank - Stand, 250 Gallon Single Wall Tank	2
2	50180	Tank - 250 Gallon (Single Wall)	1
3	50182	Drain Pan Kit	1
	60024	Heating Center Install Pack	1
4	20168	Pump Mounting Bracket - Heating Center	1
5	50179	Vent - Emergency 4"	1
6	50187	Vent - Weather Resistant Breather 2"	1
7	20218	Furnace Support - CEHS Heating Center	2
	50185	3/8 Compression X 1/4 MNPT 90°	1
	50186	3/8 Compression X 1/4 MNPT	1
	60025	Hardware Bag - Heating Center	1
	50268	Copper Tube 1/4 X 10 FT.	1
	50269	Copper Tube 3/8 X 10 FT.	1
	50270	Copper Tube 1/2 X 10 FT.	1
	75000	Label - Large Logo	1
	70005	Owner's Manual - Heating Center	1