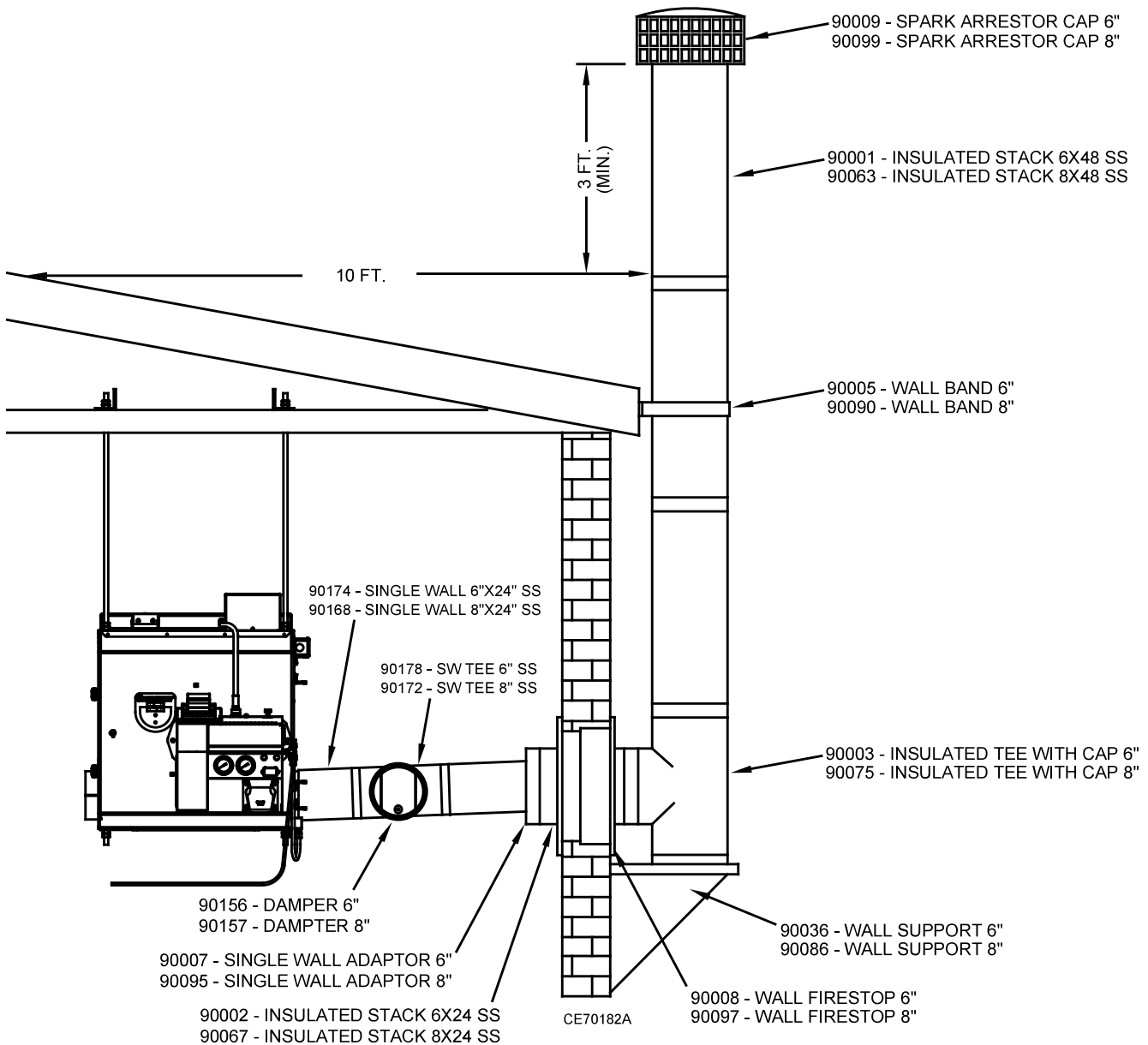


Through the Wall Chimney Installation:



- 90010 - STORM COLLAR 6"
- 90011 - FLASHING 2/12 - 5/12 6"
- 90051 - FLASHING 6/12 - 10/12 6"
- 90155 - DEKTITE BOOT #7 (KIT)

- 90102 - STORM COLLAR 8"
- 90106 - FLASHING 2/12 - 5/12 8"
- 90108 - FLASHING 6/12 - 10/12 8"
- 90158 - DEKTITE BOOT #9 (KIT)

- 90018 - INSULATED STACK 6X36 SS
- 90021 - INSULATED STACK 6X18 SS
- 90023 - INSULATED STACK 6X12 SS

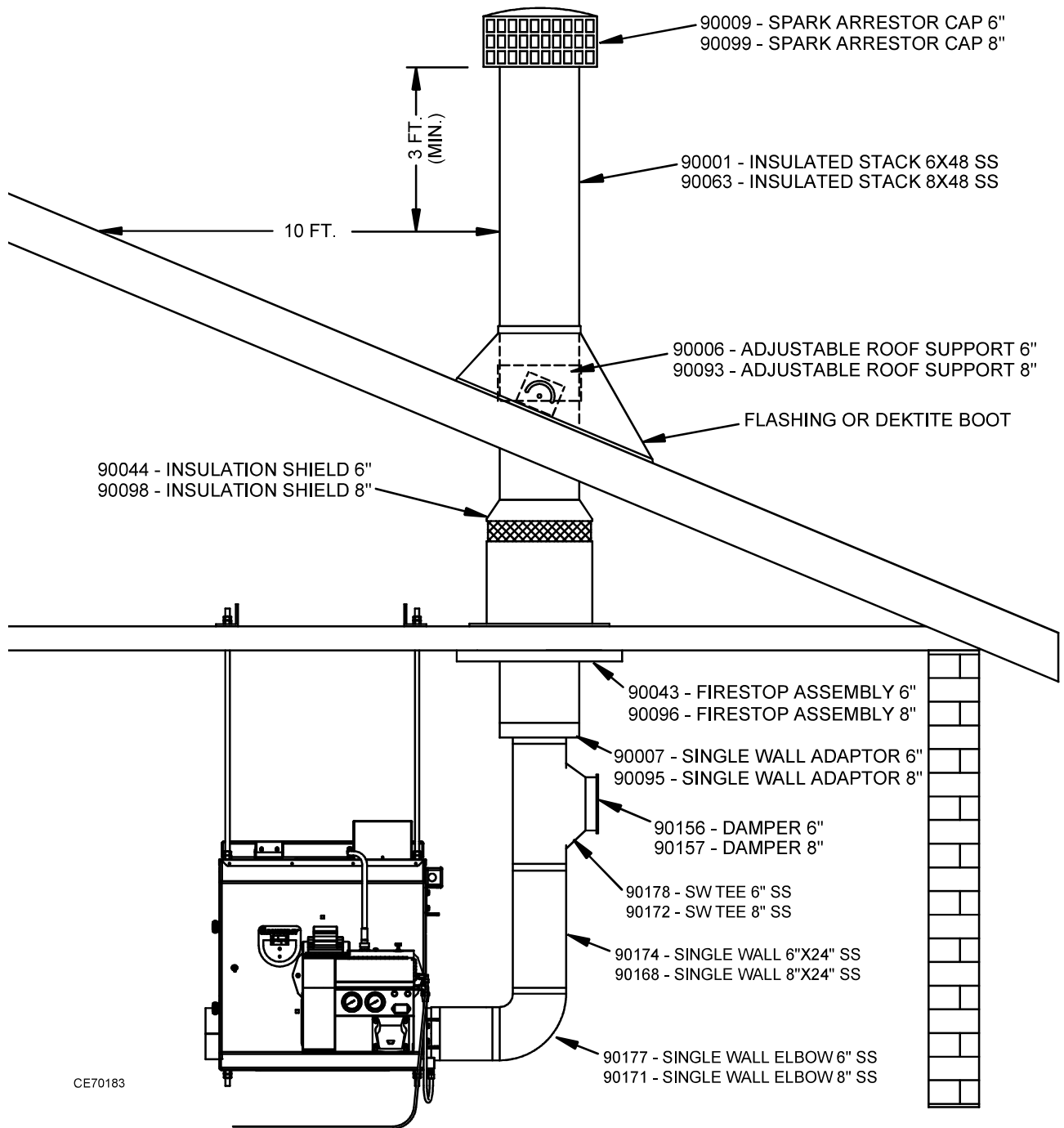
- 90065 - INSULATED STACK 8X36 SS
- 90069 - INSULATED STACK 8X18 SS
- 90071 - INSULATED STACK 8X12 SS

633 N Helena St.  
Spokane, WA 99202  
**(509) 535-1555**  
info@northstardirect.com



1210 N Oregon Ave.  
Pasco, WA 99301  
**(509) 547-2323**  
info@northstarhotsy.com

Through the Roof Chimney Installation:



- 90004 - CEILING SUPPORT 6" (USED WITH INSULATED CEILING)
- 90010 - STORM COLLAR 6"
- 90011 - FLASHING 2/12 - 5/12 6"
- 90051 - FLASHING 6/12 - 10/12 6"
- 90155 - DEKTITE BOOT #7 (KIT)

- 90082 - CEILING SUPPORT 8" (USED WITH INSULATED CEILING)
- 90102 - STORM COLLAR 8"
- 90106 - FLASHING 2/12 - 5/12 8"
- 90108 - FLASHING 6/12 - 10/12 8"
- 90158 - DEKTITE BOOT #9 (KIT)

- 90018 - INSULATED STACK 6X36 SS
- 90021 - INSULATED STACK 6X18 SS
- 90023 - INSULATED STACK 6X12 SS

- 90065 - INSULATED STACK 8X36 SS
- 90069 - INSULATED STACK 8X18 SS
- 90071 - INSULATED STACK 8X12 SS