



633 N Helena St, Spokane, WA 99202
509.535.1555 | info@northstardirect.com

1210 N Oregon Ave, Pasco, WA 99301
509.547.2323 | info@northstarhotsy.com



HIGH BOY

ADAPTABLE FILTRATION

DEWATERING AND POLISHING

The IPF solids unit utilizes inexpensive fabric media to filter out solids. Filter fabric, which is supplied in 5, 20, and 50 micron sizes, is automatically indexed onto a recessed conveyor belt constructed of a high tensile, non-corrosive material. As water and solid particles drain through the filter fabric, solids are retained. As the water level rises, a float will actuate a drive motor and the conveyor belt will index the spent paper and new paper replace it. The IPF can be applied for pre-treatment, post treatment, or as a stand alone treatment system.



All Stainless Steel IPF2-20D High Boy



FILTRATION

INDEXING POLISHING FILTER

Carbon steel exterior with a stainless steel interior

Exterior mounted drive motor with a covered housing

82-gallon tub included

Includes a collection container for spent paper and sludge

Optional discharge pump available

Footprint: 46.5" x 40.5" x 47.56"



A HIGH BOY FOR EVERY APPLICATION

■ The High Boy is made of both stainless steel and carbon steel. Stainless steel is in areas of likely corrosion. All carbon steel components are painted with a two part epoxy primer and a polyurethane finish coat. An all stainless steel model is also available.

FABRIC MEDIA FILTER PAPER

■ The 27"-wide paper (sold separately) can be customized to the micron size needed. The paper roll holder is equipped with a sensor that will signal the end of the paper roll. When combined with the Water Maze Compact CoAg the sensor will signal these systems to shut down until a new roll has been installed.

CUSTOMIZE AND ACCESSORIZE

■ Accessories enhance the effectiveness of Water Maze Treatment Systems. Water Maze offers a broad selection of add-ons, accessories, parts, and consumables that support the performance of your water treatment systems.

DETERGENTS, MEDIA AND CONSUMABLES

■ Water Maze offers a variety of additives, defoamers and detergents that are compatible with your pressure washer equipment and enhance the effectiveness of pressure washer and water treatment systems. We have a line of quick-release detergents available in 5 and 55 gallons. Filter media such as sand, gravel, and clay, which help provide separation of contaminants in water filtration equipment. We also offer bio-pucks and biostax products for our bioremediation systems, that are designed to alleviate odor in collection pits.

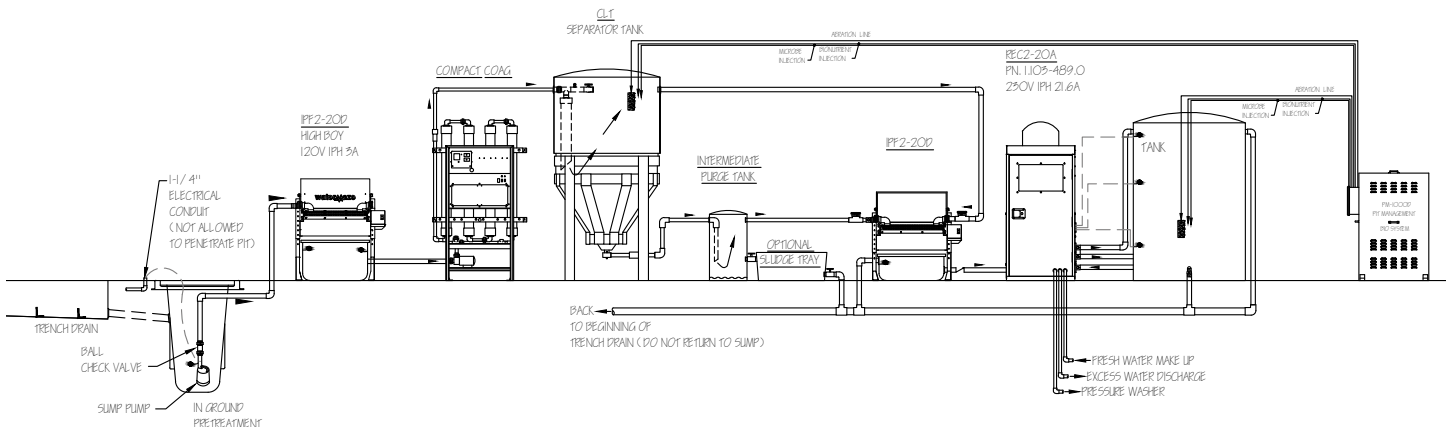
TECHNICAL DATA

MODEL	PART NO.	DESCRIPTION	FLOW GPM	HEIGHT (INCHES)	CONTAINER (GAL)	VOLTAGE	PHASE	AMPS	EST. SHIP WEIGHT (LBS.)
High Boy	1.103-488.0	High-Boy Indexing Polishing Filter	1-20	47.56	optional	120	1	3	370
High Boy	Special	High-Boy Indexing Polishing Filter with 82-gallon tub	1-20	47.56	82	120	1	3	—
High Boy-SS	Special	High-Boy Indexing Polishing Filter with all carbon steel components made of Stainless Steel	1-20	47.56	82	120	1	3	—

Dimensions (approximate):
 High Boy Physical: 46.5" x 40.5" x 47.56" Shipping: 46.5" x 40.5" x 47.56" Estimated product tare weight: 336 lbs.

OPTIONAL ACCESSORIES

PART NO.	DESCRIPTION
8.752-171.0	Fabric Media, Filter – 50 Micron x 1100 Yards
8.752-173.0	Fabric Media, Filter – 20 Micron x 650 Yards
8.752-172.0	Fabric Media, Filter – 5 Micron x 500 Yards
8.929-152.0	Water Retention Container (approximately 82-gallon capacity)
8.917-279.0	Water Retention Container (approximately 40-gallon capacity)



Typical installation of High Boy at a Truck Wash